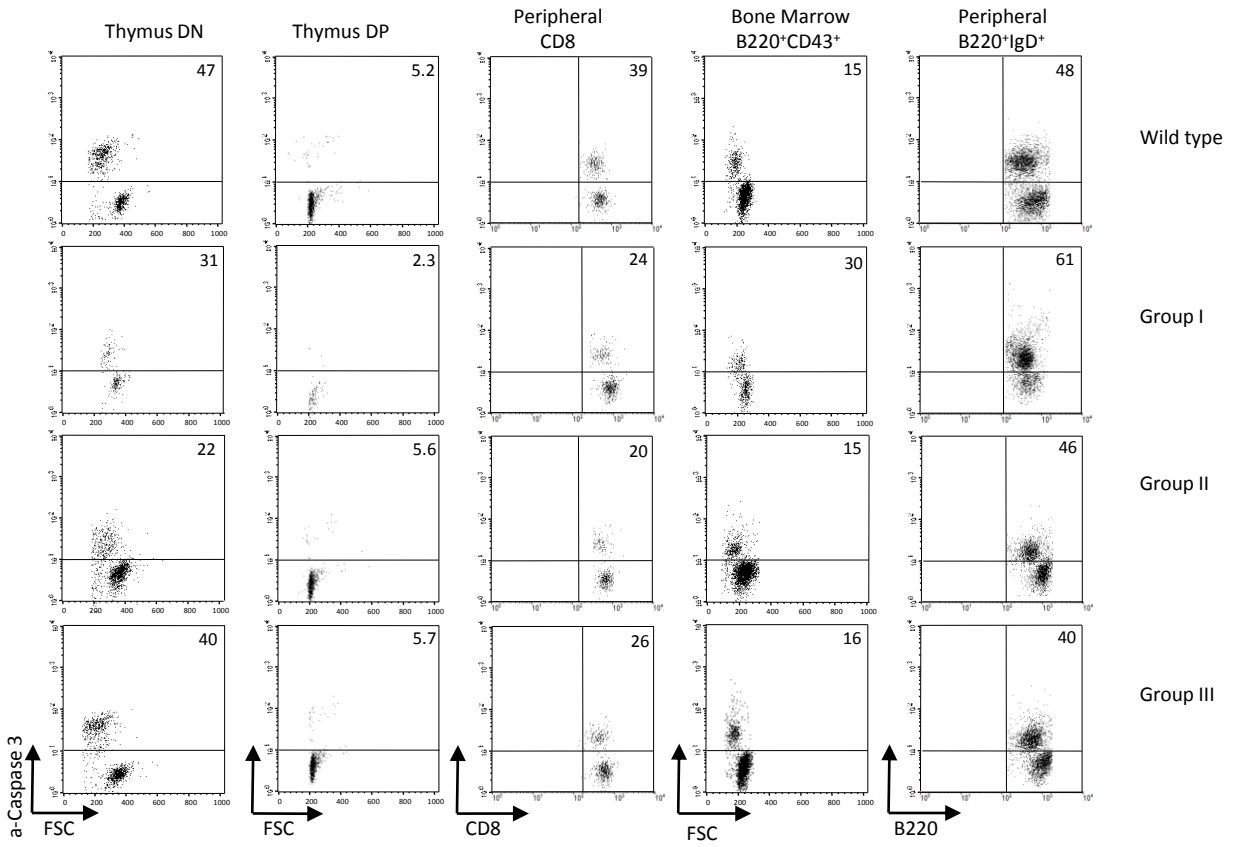
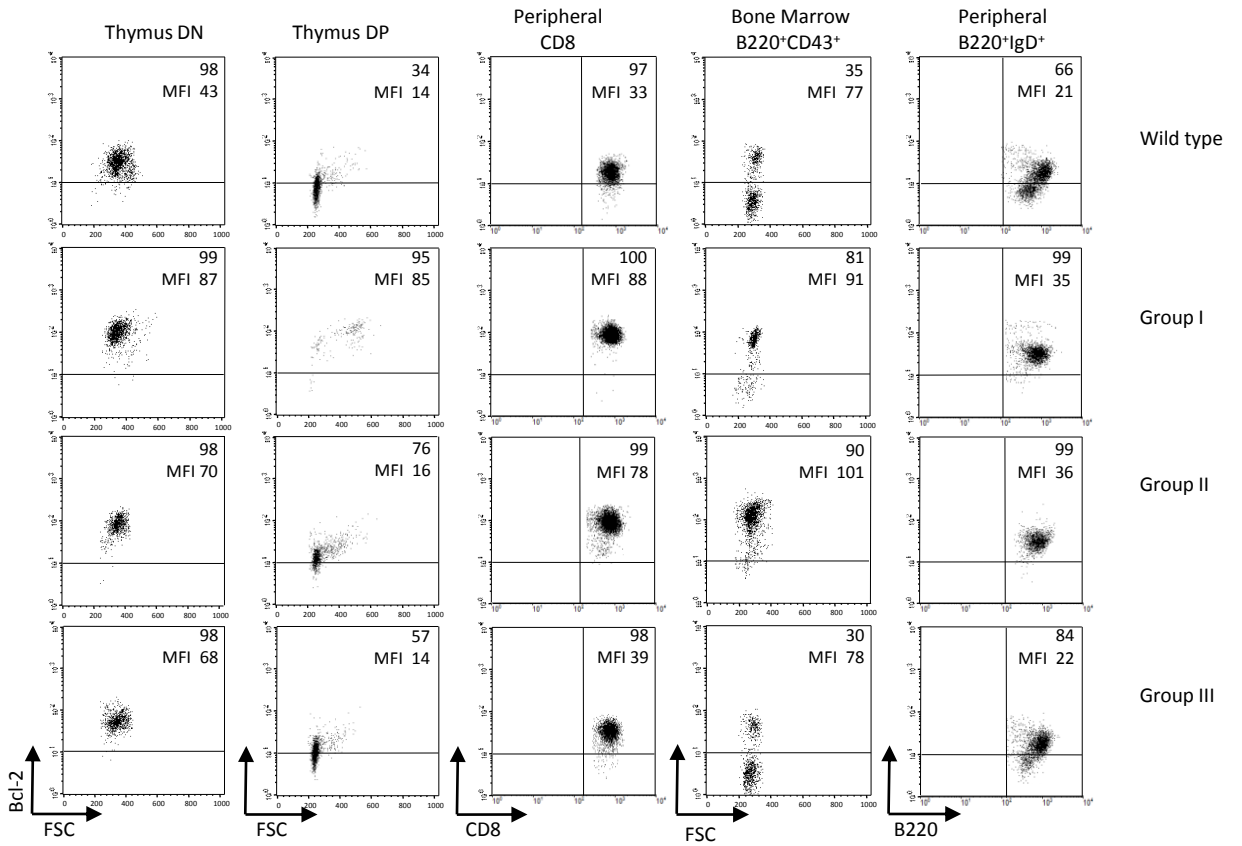


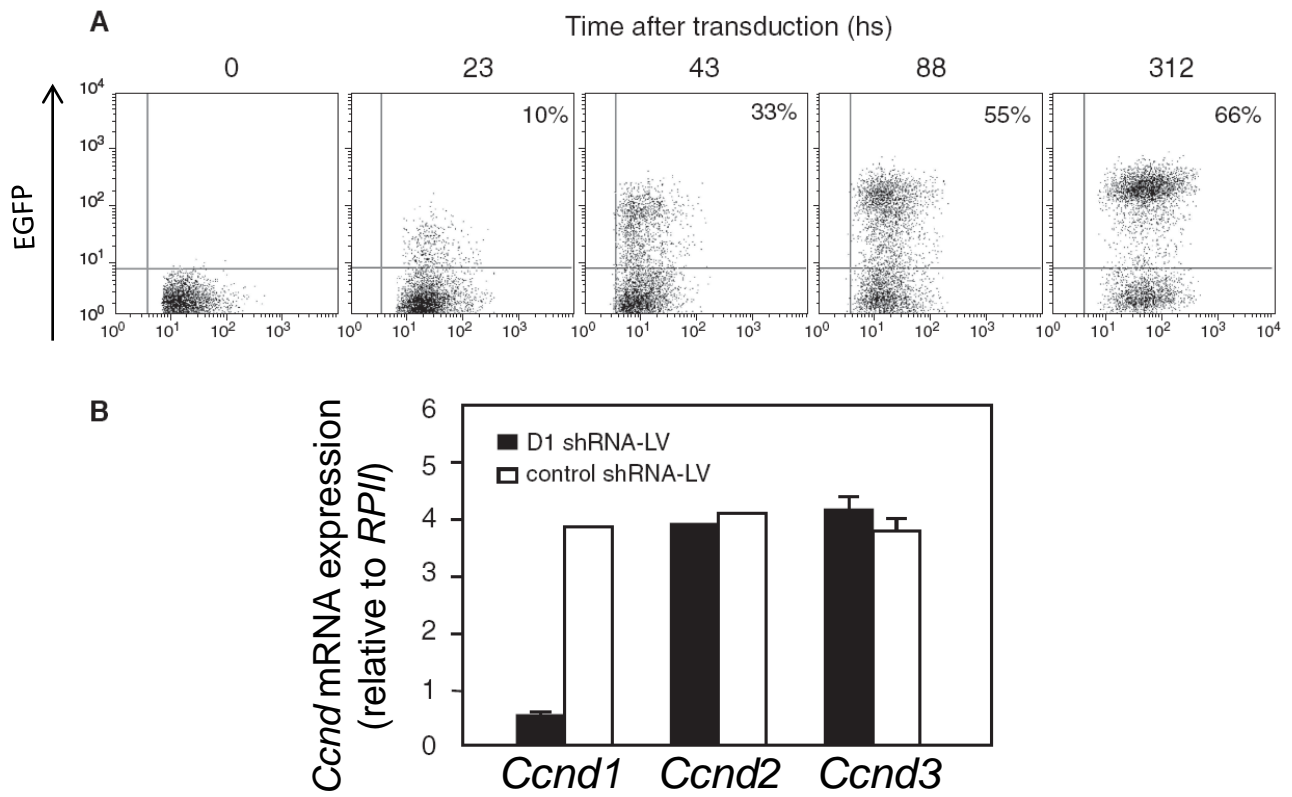
Chaves-Ferreira *et al*, **Additional Figure 1**



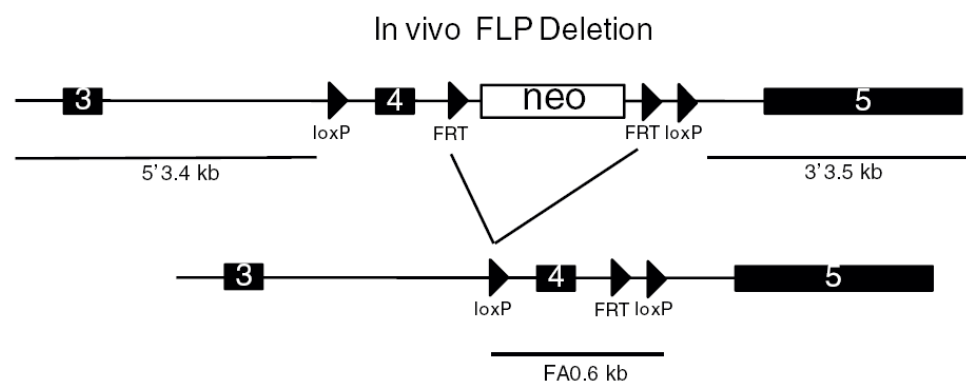
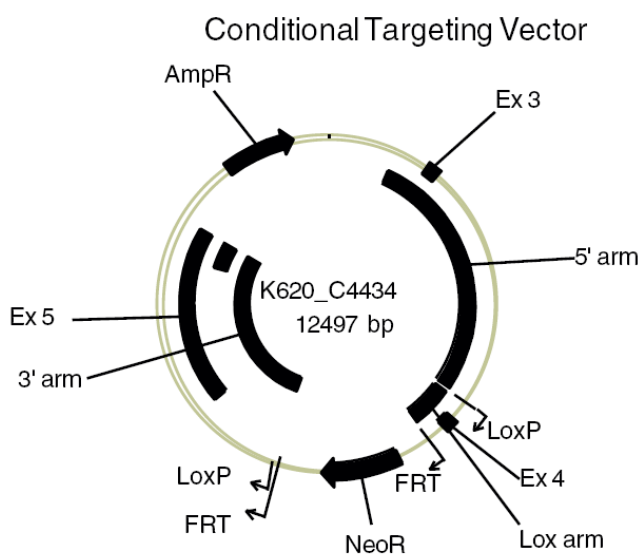
Chaves-Ferreira *et al*, Additional Figure 2



Chaves-Ferreira *et al*, Additional Figure 3



Chaves-Ferreira *et al*, Additional Figure 4



Legend:
 5': 5' homology arm; FA: floxed fragment; 3': 3' homology arm
 This schematic representation is not on scale

Chaves-Ferreira *et al*, Additional Figure 5

