



**HAL**  
open science

## Prevalence and significance of rare RYR2 variants in arrhythmogenic right ventricular cardiomyopathy/dysplasia: results of a systematic screening.

Nathalie Roux-Buisson, Estelle Gandjbakhch, Erwan Donal, Vincent Probst, Jean-Claude Deharo, Philippe Chevalier, Didier Klug, Nicolas Mansencal, Etienne Delecretaz, Pierre Cosnay, et al.

### ► To cite this version:

Nathalie Roux-Buisson, Estelle Gandjbakhch, Erwan Donal, Vincent Probst, Jean-Claude Deharo, et al.. Prevalence and significance of rare RYR2 variants in arrhythmogenic right ventricular cardiomyopathy/dysplasia: results of a systematic screening.. Heart Rhythm, 2014, pp.1999-2009. inserm-01120324

**HAL Id: inserm-01120324**

**<https://inserm.hal.science/inserm-01120324>**

Submitted on 25 Feb 2015

**HAL** is a multi-disciplinary open access archive for the deposit and dissemination of scientific research documents, whether they are published or not. The documents may come from teaching and research institutions in France or abroad, or from public or private research centers.

L'archive ouverte pluridisciplinaire **HAL**, est destinée au dépôt et à la diffusion de documents scientifiques de niveau recherche, publiés ou non, émanant des établissements d'enseignement et de recherche français ou étrangers, des laboratoires publics ou privés.

Manuscript Number: HR-0131444R2

Title: PREVALENCE AND SIGNIFICANCE OF RARE RYR2 VARIANTS IN ARRHYTHMOGENIC RIGHT VENTRICULAR CARDIOMYOPATHY/DYSPLASIA: RESULTS OF A SYSTEMATIC SCREENING

Article Type: Original-clinical-Genetic

Keywords: Arrhythmogenic right ventricular dysplasia/cardiomyopathy; RYR2 gene; mutation; genetic testing

Corresponding Author: Dr. Nathalie Roux-Buisson,

Corresponding Author's Institution: Hospital

First Author: Nathalie Roux-Buisson

Order of Authors: Nathalie Roux-Buisson; Estelle Gandjbakhch; Erwan Donal; Vincent Probst; Deharo Jean-Claude; Philippe Chevalier; Didier Klug; Nicolas Mansencal; Etienne Delecretaz; Pierre Cosnay; Patrice Scanu; Dagmar Keller; Jonathan Trapani; Pierre Fouret; Véronique Fressart; Julien Fauré; Joel Lunardi; Philippe Charron

Manuscript Region of Origin: FRANCE

Abstract: ABSTRACT

Background

Arrhythmogenic right ventricular Cardiomyopathy/Dysplasia (ARVC/D) is a genetic disease predominantly caused by desmosomal gene mutations that account for only ~50% of cases. RYR2 gene mutations usually cause Catecholaminergic Polymorphic Ventricular Tachycardia (CPVT) but have been associated with peculiar phenotype named ARVC2.

Objectives

We aim to determine the prevalence and phenotype associated with RYR2 mutations in a large ARVC/D population.

Methods

We analyzed the whole RYR2 coding sequence by Sanger sequencing in 64 ARVC/D probands without desmosomal gene mutations.

Results

We have identified six rare missense variants p.P1583S, p.A2213S, p.G2367R, p.Y2932H, p.V3219M and p.L4670V. It corresponds to a prevalence of 9% of rare RYR2 variants in ARVC/D population (6 probands/64) that is significantly higher than the estimated rate of rare RYR2 variants in control (Fisher test, p=0.03). Phenotypes associated with RYR2 variants were similar to desmosome-related ARVC/D, associating typical ECG abnormalities at rest, frequent monomorphic ventricular tachycardia, right ventricular dilatation, wall motion abnormalities and fibro-fatty replacement when histopathological examination was available.

Conclusion

In this first systematic screening of the whole coding region of the RYR2 gene in a large ARVC/D cohort without mutation in desmosomal genes, we show that putative RYR2 mutations are frequent (9% of

ARVC/D probands) and are associated with a conventional phenotype of ARVC/D, in contrast with previous findings. The results support the role of RYR2 gene in conventional ARVC/D.

**CONFLICT OF INTEREST STATEMENT - HeartRhythm  
(First and Corresponding Author(s) Must Sign)**

Thank you for your submission to the HeartRhythm journal. **CONFLICTS OF INTEREST FOR ALL AUTHORS MUST BE STATED ON THE TITLE PAGE.** Please have the first and corresponding author(s) sign and upload with your manuscript submission. Its purpose is to inform all interested parties of any significant affiliations or relationships you may have with any commercial enterprise or any other potential conflicts of interest. This is a standard form required by most leading journals.

- 1. Were you loaned any equipment, materials or medication for this study?  
Yes  No  Explain \_\_\_\_\_
- 2. Were you given any equipment, materials or medication for this study?  
Yes  No  Explain \_\_\_\_\_
- 3. Did you receive any funding to support your research for this article?  
Yes  No  Explain This work was supported by institutional grants from Assistance  
Publique—Hôpitaux de Paris [PHRC programme hospitalier de recherche  
clinique AOM05073] . \_\_\_\_\_
- 4. Were you provided with any honoraria, payment or other compensation for your work on this study?  
Yes  No  Explain \_\_\_\_\_
- 5. Did you receive any stock options, stock ownership or other valuable materials in conjunction with this study  
from any source whatsoever?  
Yes  No  Explain \_\_\_\_\_
- 6. Did you receive any outside financial support for travel or lectures to present the information covered in this  
study?  
Yes  No  Explain \_\_\_\_\_
- 7. Do you have any financial relationship with any entity that may closely compete with the medications,  
materials or instruments covered by your study?  
Yes  No  Explain \_\_\_\_\_
- 8. Do you own or have you applied for any patents in conjunction with the instruments, medications or materials  
discussed in this study?  
Yes  No  Explain \_\_\_\_\_
- 9. Do you receive any compensation for any therapy discussed in your article?  
Yes  No  Explain \_\_\_\_\_
- 10. Does anyone in your immediate family have a conflict of interest that would be covered by any of the above  
questions? (This would include closely held family trusts, limited liability corporations, etc.)  
Yes  No  Explain \_\_\_\_\_

If you have any doubts about the nature of your conflict, please contact Douglas P. Zipes M.D., Editor-in-Chief.

**Manuscript Number or Title:** SIGNIFICANCE OF RYR2 MUTATIONS IN ARRHYTHMOGENIC RIGHT VENTRICULAR CARDIOMYOPATHY/DYSPLASIA: A SYSTEMATIC SCREENING

**Signed:/Date** 2013/11/15



**CONFLICT OF INTEREST STATEMENT - *HeartRhythm***  
**(First and Corresponding Author(s) Must Sign)**

**Print Name:**

---

Roux-Buisson

---

Dr Philippe Charron  
MD, PhD, FESC, Ass. Prof.  
Département de Cardiologie,  
Hôpital Pitié-Salpêtrière,  
47 Boulevard de l'Hôpital,  
75013 Paris, France.  
Email: philippe.charron@psl.aphp.fr

For the Editor-In-Chief,  
Heart Rhythm journal

July 09th, 2014

Dear Editor,

Please find enclosed our revised manuscript entitled "PREVALENCE AND SIGNIFICANCE OF RARE RYR2 VARIANTS IN ARRHYTHMOGENIC RIGHT VENTRICULAR CARDIOMYOPATHY/DYSPLASIA: RESULTS OF A SYSTEMATIC SCREENING " by Roux-Buisson et al., which we submit for publication in Heart Rhythm as an original article.

I would like to thank the reviewers for their constructive comments.

I added a "clinical perspectives" paragraph as requested.

You will find below a detailed answer to the reviewer's comments and also the revised manuscript.

I hope the reviewers and yourself will find this new manuscript to your satisfaction.

Thank you in advance for the consideration given to our work.

Yours sincerely,

Philippe Charron, MD, PhD, Assoc. Prof.

## Reviewer #1:

We thank the reviewer for his/her comments.

- **The stated P value of 0.003 by Fisher is important and should also appear in the abstract.**

**Answer:** We modified the manuscript as recommended by the reviewer:

Abstract, page 4, lines 17-18

*“It corresponds to a prevalence of 9% of rare RYR2 variants in ARVC/D population (6 probands/64) that is significantly higher than the estimated rate of rare RYR2 variants in control (Fisher test,  $p=0.03$ ).”*

- **In the abstract, the comment: “:not overlapping with CPVT” is an overstatement and should be removed.**

**Answer:** We modified the manuscript as recommended by the reviewer:

Abstract, page 5, line 5

*“In this first systematic screening of the whole coding region of the RYR2 gene in a large ARVC/D cohort without mutation in desmosomal genes, we show that putative RYR2 mutations are frequent (9% of ARVC/D probands) and are associated with a conventional phenotype of ARVC/D, in contrast with previous findings.”*

- **The limitations section should include the fact that the authors limited their analysis to the 1994 Task Force criteria, and indicate why.**

**Answer: The reviewer is right.** We modified the manuscript as suggested:

Abstract, page 18, lines 13-14

*“At last, the ARVC/D probands were selected according to the 1994 Task Force Criteria as this cohort was prospectively recruited before the publication of the revised TFC.”*

## **Reviewer #2:**

We thank the reviewer for his/her comments.

The questions raised were adequately addressed.

- **Probably slightly modify the title: Prevalence ...: results of a systematic screening**

We modified the title as follow: *“PREVALENCE AND SIGNIFICANCE OF RARE RYR2 VARIANTS IN ARRHYTHMOGENIC RIGHT VENTRICULAR CARDIOMYOPATHY/DYSPLASIA: RESULTS OF A SYSTEMATIC SCREENING”*



1 **TITLE PAGE**

2 **Title: PREVALENCE AND SIGNIFICANCE OF RARE RYR2 VARIANTS IN**  
3 **ARRHYTHMOGENIC RIGHT VENTRICULAR**  
4 **CARDIOMYOPATHY/DYSPLASIA: RESULTS OF A SYSTEMATIC SCREENING**

5 **Short title: RYR2 mutations in Arrhythmogenic Right Ventricular**  
6 **Cardiomyopathy/Dysplasia**

7

8 **Authors:** Nathalie Roux-Buisson, MD, PhD<sup>1,2,3§</sup>, Estelle Gandjbakhch, MD, PhD<sup>4,5§</sup>, Erwan  
9 Donal, MD, PhD<sup>6</sup>, Vincent Probst, MD, PhD<sup>7</sup>, Jean-Claude Deharo, MD<sup>8</sup>, Philippe Chevalier,  
10 MD, PhD<sup>9</sup>, Didier Klug, MD<sup>10</sup>, Nicolas Mansencal, MD, PhD<sup>11</sup>, Etienne Delacretaz, MD,  
11 PhD<sup>12</sup>, Pierre Cosnay, MD<sup>13</sup>, Patrice Scanu, MD<sup>14</sup>, Fabrice Extramiana, MD, PhD<sup>15</sup>, Dagmar  
12 Keller, MD<sup>16</sup>, Françoise Hidden-Lucet, MD<sup>4,5</sup>, Jonathan Trapani<sup>2</sup>, Pierre Fouret, MD, PhD<sup>4,17</sup>,  
13 Robert Frank, MD<sup>5</sup>, Veronique Fressart, MD, PhD<sup>5,18</sup>, Julien Fauré, PhD<sup>1,2,3</sup>, Joel Lunardi,  
14 PharmD, PhD<sup>1,2,3</sup> and Philippe Charron, MD, PhD<sup>4,5,11\*</sup>

15

16 The number of authors is justified by the fact that this manuscript results from a multicenter  
17 study, and there is one author from each center.

18

19 **Affiliations:**

20 <sup>1</sup>INSERM U836, Grenoble Institut des Neurosciences, Equipe Muscle et Pathologies,  
21 Grenoble, France,

22 <sup>2</sup>CHRU de Grenoble, Hopital Michallon, Biochimie et Génétique Moléculaire, Grenoble,  
23 France,

24 <sup>3</sup>Université Joseph Fourier, Grenoble, France,

1 <sup>4</sup>UPMC Université Paris-6; INSERM UMRS-1166; Paris, France

2 <sup>5</sup>AP-HP; centre de référence maladies cardiaques héréditaires; ICAN, Hôpital Pitié-  
3 Salpêtrière

4 <sup>6</sup>Service de Cardiologie, Hôpital Pontchaillou, Rennes, France

5 <sup>7</sup>Institut du thorax, service de cardiologie du CHU de Nantes and INSERM UMR 915,  
6 Université de Nantes, Nantes, France

7 <sup>8</sup>Service de Cardiologie, Hôpital La Timone, Marseille, France

8 <sup>9</sup>Service de Cardiologie, Hôpital Est, Lyon, France

9 <sup>10</sup>Service de Cardiologie, Hôpital Cardiologique, Lille, France

10 <sup>11</sup>Université de Versailles-Saint Quentin, Hôpital Ambroise Paré, AP-HP, Boulogne, France

11 <sup>12</sup>Service de Cardiologie, Hôpital de l'Île, Berne, Suisse

12 <sup>13</sup>Service de Cardiologie B, CHU Tours, Tours, France

13 <sup>14</sup>Service de Cardiologie, Hôpital Côte de Nacre, Caen, France

14 <sup>15</sup>Service de Cardiologie, Hôpital Lariboisière, AP-HP, Université Paris 7, Paris, France

15 <sup>16</sup>Service de Cardiologie, Hôpital Universitaire de Bâle, Bâle, Suisse

16 <sup>17</sup>APHP, Hôpital Pitié-Salpêtrière, Service d'Anatomie pathologique, Paris, France

17 <sup>18</sup>AP-HP, Hôpital Pitié-Salpêtrière, Service de Biochimie, Unité de Cardiogénétique et  
18 Myogénétique, Paris, France

19

20

21 §These authors contributed equally to this work

22

23 **Fundings:**

24 This work was supported by grants from Assistance Publique—Hôpitaux de Paris [PHRC  
25 programme hospitalier de recherche clinique AOM05073].

26

1 **Conflict of interest: none**

2

3 **\*Corresponding author:** Philippe Charron Tel: +33 1 42 16 13 47; fax: +33 1 42 16 13 64,

4 Email: philippe.charron@psl.aphp.fr

5 Address: AP-HP, Hôpital Pitié-Salpêtrière, Centre de référence pour les maladies cardiaques

6 héréditaires, Paris, France

7

8 **Word count: 5033**

9

1 **ABSTRACT**

2 **Background**

3 Arrhythmogenic right ventricular Cardiomyopathy/Dysplasia (ARVC/D) is a genetic  
4 disease predominantly caused by desmosomal gene mutations that account for only ~50% of  
5 cases. *RYR2* gene mutations usually cause Catecholaminergic Polymorphic Ventricular  
6 Tachycardia (CPVT) but have been associated with peculiar phenotype named ARVC2.

7 **Objectives**

8 We aim to determine the prevalence and phenotype associated with *RYR2* mutations in a large  
9 ARVC/D population.

10 **Methods**

11 We analyzed the whole *RYR2* coding sequence by Sanger sequencing in 64 ARVC/D  
12 probands without desmosomal gene mutations.

13  
14 **Results**

15 We have identified six rare missense variants p.P1583S, p.A2213S, p.G2367R,  
16 p.Y2932H, p.V3219M and p.L4670V. It corresponds to a prevalence of 9% of rare *RYR2*  
17 variants in ARVC/D population (6 probands/64) that is significantly higher than the estimated  
18 rate of rare *RYR2* variants in control (Fisher test,  $p=0.03$ ). Phenotypes associated with *RYR2*  
19 variants were similar to desmosome-related ARVC/D, associating typical ECG abnormalities  
20 at rest, frequent monomorphic ventricular tachycardia, right ventricular dilatation, wall  
21 motion abnormalities and fibro-fatty replacement when histopathological examination was  
22 available.

23

1 **Conclusion**

2 In this first systematic screening of the whole coding region of the *RYR2* gene in a large  
3 ARVC/D cohort without mutation in desmosomal genes, we show that putative *RYR2*  
4 mutations are frequent (9% of ARVC/D probands) and are associated with a conventional  
5 phenotype of ARVC/D, in contrast with previous findings. The results support the role of  
6 *RYR2* gene in conventional ARVC/D.

7

8

9 **Keywords:** Arrhythmogenic right ventricular dysplasia/cardiomyopathy; *RYR2* gene;  
10 mutation

11

12 **Abbreviations:**

13 AA: amino acid

14 ARVC/D: Arrhythmogenic Right Ventricular Cardiomyopathy/Dysplasia

15 CPP : ethical committee (comité de protection des personnes)

16 CPVT: Catecholaminergic Polymorphic Ventricular Tachycardia

17 DNA: Deoxyribonucleic acid

18 ECG: electrocardiogram

19 EP: electrophysiologic study

20 EVS: Exome Variant Server database

21 LBBB: left bundle branch block

22 LV: left ventricle

23 MRI: Magnetic Resonance Imaging

24 NSVT: non-sustained ventricular tachycardia

25 RBBB: right bundle branch block

- 1 RV: right ventricle
- 2 RVOT: right ventricle outflow tract
- 3 RYR2: Ryanodine receptor type 2
- 4 SNP: single nucleotide polymorphism
- 5 SVT: sustained ventricular tachycardia
- 6 TFC: Task Force Criteria
- 7 TWI: T-wave inversion
- 8 Vec: ventricular ectopies
- 9 VT: ventricular tachycardia
- 10 WMA: wall motion abnormalities
- 11

## 1 INTRODUCTION

2 Arrhythmogenic Right Ventricular Cardiomyopathy/Dysplasia (ARVC/D) is a rare cardiac  
3 muscle disorder characterised by progressive fibro-fatty replacement of the myocardium. The  
4 right ventricle is predominantly affected but left ventricular involvement is also present in  
5 more than half of the cases<sup>1</sup>. These structural alterations can lead to ventricular arrhythmias  
6 and heart failure. ARVC/D is a frequent cause of sudden death in young people and athletes.  
7 The diagnosis of ARVC/D is currently based on the presence of major and minor standardised  
8 Task Force criteria (TFC) that consider ventricular arrhythmias episodes, electrocardiographic  
9 abnormalities, right ventricular function and morphology, histopathology, family history and  
10 genetic status<sup>2</sup>.

11 ARVC/D is usually inherited as an autosomal dominant disease with reduced penetrance and  
12 variable expression. So far, the major genes involved in ARVC/D encode components of the  
13 cardiac desmosome: plakophilin-2 (*PKP2*)<sup>3</sup>, desmoglein-2 (*DSG2*)<sup>4,5</sup>, plakoglobin (*JUP*)<sup>6</sup>,  
14 desmoplakin (*DSP*)<sup>7</sup> and desmocollin-2 (*DSC2*)<sup>8,9</sup>. Comprehensive mutation screening of the  
15 five main desmosomal ARVC/D genes can detect genetic abnormalities in at least 40-50% of  
16 probands<sup>10</sup>. Non-desmosomal genes have been also associated with ARVC/D phenotypes  
17 including the cardiac ryanodine receptor type 2 gene (*RYR2*)<sup>11</sup>, the transforming growth factor  
18 beta 3 gene (*TGFB3*)<sup>12</sup>, the *TMEM43* gene<sup>13</sup> and more recently the lamin A/C (*LMNA*)<sup>14</sup>, the  
19 titin (*TTN*)<sup>15</sup>, the desmin (*DES*)<sup>16</sup> and the phospholamban (*PLN*)<sup>17</sup> genes. Mutations in the  
20 *RYR2* gene are usually associated with catecholaminergic polymorphic ventricular tachycardia  
21 (CPVT), a rare and severe inherited arrhythmia without structural cardiac abnormality<sup>18,19</sup>  
22 (<http://www.fsm.it/cardmoc/>).

23 *RYR2* is one of the largest human genes (105 exons) encoding a mRNA of 16365 bp  
24 (NM\_021991.2). Nava et al reported in 1988 a family with autosomal dominant form of right  
25 ventricular cardiomyopathy (supported by histological data) associated with polymorphic

1 ventricular tachycardia induced by exercise stress testing and juvenile sudden death<sup>20</sup>.  
2 Rampazzo et al mapped then the locus to chromosome 1q42-q43 and identified *RYR2*  
3 mutations in four independent families with the same clinical presentation of ARVC/D  
4 (named ARVC/D2)<sup>11,21</sup>. This clinical presentation differs from desmosome-related forms of  
5 ARVC/D and is rather close to CPVT because of the presence of effort-induced ventricular  
6 arrhythmias, its high penetrance and a 1:1 sex ratio. The association between typical form of  
7 ARVC/D and *RYR2* mutations remains unclear and the prevalence of *RYR2* mutations in the  
8 ARVC/D population remains unknown since very few mutations have been associated to  
9 ARVC/D<sup>11,22-24</sup>.

10 In this study, we aimed to determine the prevalence of *RYR2* mutations in a large cohort of 64  
11 well clinically characterised ARVC/D probands for whom mutations in *PKP2*, *DSG2*, *DSP*,  
12 *DSC2* and *JUP* were previously excluded. Sequencing of the entire coding region of *RYR2* in  
13 these ARVC/D probands led to the identification of 6 putative missense mutations in 6  
14 unrelated probands. The pathogenic role of the variations is discussed as well as the  
15 consequences for clinical practice.

## 16 **METHODS**

### 17 **Patients**

18 This multicenter prospective study included a cohort of unrelated probands recruited in  
19 France and Switzerland with a diagnosis of ARVC/D according to the TFC used at time of  
20 enrolment<sup>25</sup> and then focussed on 64 probands for whom no mutation were identified in  
21 *PKP2*, *DSG2*, *DSP*, *JUP* and *DSC2* genes<sup>10</sup>.

22 Clinical evaluation of all probands was performed as described previously<sup>10</sup> and included:  
23 evaluation of personal and familial history, physical examination, 12-lead standard ECG,  
24 standard echocardiography, cardiac Magnetic Resonance Imaging (MRI) or right ventricular  
25 (RV) angiography, 24-hours ambulatory electrocardiogram (ECG) and signal-averaged-



1 ECG<sup>10</sup>. Baseline exercise test was performed in all probands, except in very particular  
2 situations requiring urgent therapeutic management (such as implantable cardiac defibrillator  
3 or anti-arrhythmic drugs). Electrophysiologic (EP) study was performed when considered  
4 clinically relevant by the physician, according to the following protocol: 2 different sites, 2  
5 rates, with up to 3 extra stimuli, at baseline and with infusion of isoproterenol. In the case of  
6 cardiac transplant, pathological analysis of the explanted heart was performed. Clinical  
7 evaluation of relatives was performed when available. This study was approved by the Pitié-  
8 Salpêtrière Hospital ethical committee (CPP) and written informed consent was obtained from  
9 all individuals.

#### 10 **Genetic analysis**

11 For each proband, the 105 exons and intron-exon junctions of the *RYR2* gene were amplified  
12 from genomic DNA (OMIM 180902, transcript: NM\_021991.2, protein: 4967 AA, Q92736-1,  
13 primer sequences available upon request). The analysis of the entire coding sequence of *RYR2*  
14 was performed by direct sequencing on an ABI 3130 DNA sequencer (PE Applied  
15 Biosystems®, Foster City, USA).

16 When unreported variant were detected, they were searched among 400 chromosomes from  
17 ethnically matched and healthy control subjects (Caucasian n=400 or Maghrebian n=134) by  
18 direct sequencing or by denaturing high-performance liquid chromatography (Wave  
19 Transgenomic Inc®, Cambridge, USA).

20 Upon identification, the likelihood of a pathogenic effect of an unreported *RYR2* variant was  
21 based on (i) the absence of the variant in the control population and an allele frequency  
22 inferior to 1 / 10 000 in the databases NCBI SNPs, 1000 Genome and Exome Variant Server  
23 (<http://www.ncbi.nlm.nih.gov/snp>, <http://browser.1000genomes.org/index.html>,  
24 <http://evs.gs.washington.edu/EVS>), (ii) the conservation of the mutated residue among species  
25 and *RYR* isoforms and (iii) the predicted effect of the mutation by three appropriate software

1 (Polyphen2, SIFT, SNPsandGO <http://genetics.bwh.harvard.edu/pph2/>,  
2 <http://sift.bii.aster.edu.sg/>, <http://snps-and-go.biocomp.unibio.it/snps-and-go/> ). The  
3 segregation analysis within the family was performed when the relatives DNAs and clinical  
4 data were available.

## 5 **Statistical Analysis**

6 The frequency of the “genetic background noise” of rare *RYR2* missense variants in the  
7 general population was estimated using data from the Exome Variant Server database (EVS).  
8 By using the coverage data available in EVS website, we find that 25938 positions covering  
9 the *RYR2* exons and introns boundaries had sufficient sequence coverage to be genotyped in  
10 5818 individuals in average (99.9% of the coding sequence). We considered as a rare  
11 missense variant, each missense variant observed at maximum 5 times among the cohort of  
12 individuals genotyped in EVS.

13 The occurrence of these rare variations were added together and divided by the mean of allele  
14 population to reach a theoretical prevalence of rare variations in *RYR2* in EVS, used as control  
15 population. The prevalence of rare *RYR2* variations in our cohort (128 alleles or 64 patients)  
16 was then compared with the prevalence of *RYR2* variations found in the population analysed  
17 in EVS (11636 alleles or 5818 individuals). We decided to pool both European and African  
18 ancestry for the comparison, first since our population of patients comprises both European  
19 and African ancestry and second because frequency of rare variants of *RYR2* is similar in  
20 European population and in African population. P value was calculated with Fisher’s exact  
21 test. Calculations were carried out using the graphpad software:  
22 <http://www.graphpad.com/quickcalcs/contingency1/>.

23

## 24 **RESULTS**

### 25 **Clinical data**

1 All probands fulfilled TFC used at time of enrolment<sup>25</sup> and four fulfilled recent update TFC<sup>2</sup>.  
2 Clinical data are summarised in the tables 1 and S1. Pedigrees are presented in figure 1.

### 3 ***Family A.***

4 The proband was a man presenting with aborted sudden cardiac death during intense effort,  
5 with ventricular fibrillation. Resting ECG showed in V1 an atypical conduction defect (figure  
6 2) and signal-averaged ECG detected late potentials. Cardiac imaging showed RV dilatation  
7 and multifocal wall-motion-abnormalities (WMA) with mild left ventricle (LV) abnormalities  
8 (table 1). He was found to carry a heterozygous *RYR2* p.P1583S variant. The familial  
9 screening detected the variation in the affected father and a sister presenting with borderline  
10 phenotype while the three healthy relatives did not carry the variation. The father displayed  
11 frequent bimorphic ventricular ectopies and significant RV abnormalities on cardiac imaging.  
12 He also developed persistent atrial fibrillation needing cardioversion. The 17 year-old sister  
13 displayed a parietal block in V1 (figure 2) and mild RV abnormalities. Exercise test, EP study  
14 or isoproterenol test did not induced significant arrhythmia in the proband and his father.

### 15 ***Family B.***

16 The proband was an asymptomatic 43-year-old man. He fulfilled diagnosis criteria for  
17 ARVC/D with the presence of T-wave inversion (TWI) from V1 to V4, non-sustained  
18 monomorphic ventricular tachycardia (NSVT) recording during the 24-hour 3D-ECG  
19 monitoring, frequent ventricular ectopies with left bundle branch block (LBBB) morphology  
20 and superior axis and late potentials (figure 2 and 3). He displayed a mild RV dilatation with  
21 global RV hypokinesia on cardiac-MRI. Electrophysiological mapping of the right ventricle  
22 showed a limited zone of scar within the inferior wall of the RV and the EP study triggered a  
23 monomorphic sustained ventricular tachycardia (SVT) with LBBB morphology and superior  
24 axis, suggesting ventricular tachycardia (VT) originating from this scar (figure 3). The  
25 molecular analysis of *RYR2* found a p.L4670V heterozygous variation, also found in his

1 affected sister and his asymptomatic mother (figure 2). His sister displayed TWI from V1 to  
2 V3 without evidence of morphological abnormalities or ventricular arrhythmias (figure 2,  
3 table 1 and Supplementary table 1) while their mother only displayed positive late-potentials.

#### 4 ***Family C.***

5 This 59 years old male proband was a sporadic case that presented with presyncope and  
6 spontaneous ventricular arrhythmia, corresponding to monomorphic NSVT with a LBBB  
7 morphology and inferior axis. ECG showed complete right bundle branch block (RBBB).  
8 Echocardiography and cardiac MRI showed apical and RVOT dyskinesia although the RV  
9 was not significantly enlarged. He did not reach the 2010 diagnosis criteria and was then  
10 considered with a borderline diagnosis of ARVC/D. The EP study and the isoproterenol test  
11 were negative under beta-blockers. The *RYR2* p.G2367R heterozygous variation was  
12 identified. No DNA from relatives was available.

#### 13 ***Family D.***

14 The proband was a sporadic case that presented with palpitations and several episodes of  
15 syncope since the age of 35. ECG showed TWI from V1 to V3 and late potentials (figure 2).  
16 He displayed spontaneous monomorphic sustained ventricular tachycardia of LBBB  
17 morphology. Cardiac imaging showed RV dilatation and dysfunction associated with apical  
18 and infero-basal WMA. Monomorphic NSVT with LBBB morphology and superior axis was  
19 triggered at EP study but not at exercise test and during isoproterenol test (figure 3). The  
20 p.A2213S heterozygous variation was identified in *RYR2*. One of the unaffected daughters, 12  
21 years of age, carried the variation.

#### 22 ***Family E.***

23 Proband was a sporadic case that presented with presyncope at the age of 41. Resting ECG  
24 showed TWI from V1 to V3 .The 24h-ECG monitoring detected frequent monomorphic  
25 ventricular ectopies (Vec) (figure2, table S1) decreasing during exercising. Cardiac imaging

1 showed WMA with dyskinesia and RV aneurysm but no RV dilatation and therefore did not  
2 reach the 2010 diagnostic criteria. The heterozygous p.V3219M variation in *RYR2* was  
3 identified.

#### 4 **Family F.**

5 Proband, a 39 years old woman, presented with palpitations and dyspnea. ECG showed  
6 epsilon wave, first-degree atrio-ventricular block, incomplete RBBB. She developed atrial  
7 fibrillation (figure 2). A 24h ECG monitoring and exercise test detected frequent polymorphic  
8 ventricular ectopies, increasing with effort (figure2, table S1). The EP study induced a  
9 syncopal polymorphic SVT. She developed a major RV dilatation with severe tricuspid  
10 regurgitation leading to end-stage heart failure that required heart transplantation. The  
11 anatomopathological study of the explanted heart confirmed typical histological features of  
12 ARVC/D with an extensive fibro-fatty replacement of the entire RV anterior wall associated  
13 with lymphocytes infiltration and important areas of fibro-fatty replacement within the LV  
14 wall (figure 4). A heterozygous p.Y2932H variation in *RYR2* was identified. Familial  
15 screening detected the variation in two asymptomatic siblings.

16 None of the six probands presented with bidirectional VT. Mutation carriers did not show  
17 NSVT nor SVT during exercise test (performed in three probands and two relatives) or during  
18 isoproterenol test (performed in four probands and one relative).

#### 19 **Genetic analysis**

20 We identified six unique rare missense variants in *RYR2* among our panel of 64 desmosome-  
21 negative ARVC/D probands: p.P1583S, p.A2213S, p.G2367R, p.Y2932H, p.V3219M,  
22 p.L4670V (table 2). It corresponded to a yield of rare *RYR2* variants of 9% (6/64) in our  
23 cohort.

24 *RYR2* is reported to be a relatively polymorphic gene by Jabbari et al<sup>26</sup>. We decided therefore  
25 to analyse whether the prevalence of *RYR2* variant in our cohort was higher or not than in the

1 general population. We estimated the prevalence of the genetic background noise of *RYR2*  
2 variants in the general population using the data from the Exome Variant Server. We  
3 considered as a rare *RYR2* variant a variant observed at maximum 5 times in EVS, which is a  
4 conservative approach. We observed that a rare *RYR2* variant was identified in 215/5818  
5 subjects in EVS (supplementary table 2). It corresponded to a rate of rare *RYR2* variants of  
6 4% (215/5818) in EVS which was significantly lower to the 9% (6/64) observed in our cohort  
7 (Fisher test,  $p=0.0322$ ).

8 The variations p.A2213S, p.Y2932H and p.L4670V were novel.

9 The p.P1583S variation is located in the cytoplasmic part of the protein, outside the hot spot  
10 of mutations of *RYR2*. The proline residue at position 1583 is highly conserved among species  
11 and isoforms of *RYR* (figure 5). The variation was predicted to be deleterious by all prediction  
12 software (table 2), and was absent among 400 control chromosomes and from the EVS and  
13 1000 genome databases.

14 The p.G2367R was located in the cytoplasmic part of the protein in the second hot spot  
15 domain of *RYR2* (central domain), close to the region of interaction with FKBP12.6, a major  
16 regulatory protein of *RYR2*. Moreover, this variant has been previously reported in association  
17 with hypertrophic cardiomyopathy and unexplained sudden cardiac death and functional  
18 studies showed a gain of function<sup>27,28</sup>. This variation was not found in 400 control  
19 chromosomes.

20 The p.L4670V variation mapped to the transmembrane domain of the protein that participates  
21 to the pore of the calcium channel. This domain is a hot spot for *RYR2* mutations, with more  
22 than 30 mutations published, all associated so far with CPVT or sudden death. Moreover, a  
23 p.L4670H variation has been recently reported in association with CPVT<sup>26</sup>. The variation  
24 affected a highly conserved leucine residue (figure 5), was predicted as deleterious by all

1 prediction softwares (table 2) and was found neither in 400 control chromosomes, nor in the  
2 variant databases.

3 The p.A2213S, p.Y2932H, p.V3219M variations were located outside the hot spot of  
4 mutations of *RYR2*, and modified a not conserved amino acid. They were absent from 400  
5 control chromosomes but the p.V3219M variant was reported with a very low frequency  
6 (<0.0001%) from Exome Variant Server database.

7

8

## 9 **DISCUSSION**

### 10 ***Pathogenicity of RYR2 variants in ARVC/D***

11 We performed the first systematic screening of the whole *RYR2* gene (105 exons and intron-  
12 exon junctions) in a well clinically characterized ARVC/D cohort, after the exclusion of  
13 affected subjects harboring pathological mutations in either of the five desmosomal genes  
14 (*PKP2*, *DSG2*, *DSP*, *JUP*, *DSC2*). Among the 64 ARVC/D probands, we found a prevalence  
15 of rare *RYR2* variants of 9%. Based on a conservative approach including the estimation of a  
16 “genetic background noise” of 4% in *RYR2*, we found a significantly higher frequency of  
17 *RYR2* variants in our ARVC/D cohort.

18 In the absence of functional studies, it remains difficult to classify any missense mutation as  
19 benign or pathogenic. Therefore, interpretation of our results was performed with  
20 considerable caution. We postulate that some of the new variants identified in our study are  
21 deleterious, either as a monogenic dominant mutation or through a modifier effect, while we  
22 cannot exclude the hypothesis that some variants may be very rare benign polymorphisms.  
23 The two variants, p.P1583S and p.L4670V were considered as highly probably pathogenic  
24 based on the conservation of the amino acid concerned, the absence of a large control  
25 population and the damaging effect predicted *in silico*. The familial studies showed that the

1 variants segregate with the phenotype but with reduced penetrance. The pathogenic effect of  
2 p.A2213S, p.G2367R, p.Y2932H, p.V3219M was more difficult to ascertain. *In silico*  
3 analyses suggest that these variants are possible benign polymorphisms or modifying variants  
4 rather than direct disease-causing mutations.

5 Noticeably, we identified the presence of the two *RYR2* SNPs (p.G1885E and p.G1886S) in  
6 a compound heterozygous manner in one additional proband, which were previously reported  
7 to be associated with ARVC/D (data not shown)<sup>24</sup>. However, we also identified this  
8 association in a healthy control subject supporting a possible modifier effect of these variants  
9 rather than a causal role.

10 The *RYR2* mutations identified so far in ARVC/D were located in the cytoplasmic region of  
11 the channel<sup>11,22,23</sup>. Similarly, all the genetic variants we identified were also located in the  
12 cytoplasmic part of the protein, except the p.L4670V variant, which is located into the  
13 transmembrane domain, a hot spot of *RYR2* mutations associated with CPVT phenotypes<sup>29</sup>.  
14 We therefore believe that the molecular analyse of *RYR2* in ARVC/D requires the screening  
15 of the entire coding region of the gene.

### 16 ***Phenotype/genotype analysis***

17 Until now, only few studies reported *RYR2* mutations associated with ARVC/D<sup>11,22,23</sup>  
18 (ARVC2 locus). In those families, the phenotype linked to *RYR2* mutations appeared different  
19 from desmosome-related ARVC/D and presented overlapped characteristics with CPVT<sup>11</sup>.  
20 Interestingly, in the present study, the phenotype associated with *RYR2* variants is similar to  
21 desmosome-related ARVC/D. Most probands fulfilled ARVC/D diagnosis based on recent  
22 update TFC<sup>25</sup>. They exhibited frequent TWI or parietal block on right precordial leads, which  
23 are common ARVC/D features absent from the CPVT and the ARVC2 phenotype. All  
24 probands displayed ventricular arrhythmias that were predominantly monomorphic with a  
25 LBBB morphology, which is a usual feature of ARVC/D, in opposite to the polymorphic



1 arrhythmias encountered in CPVT or ARVC2. Ventricular effort-induced polymorphic  
2 ventricular arrhythmias are an important diagnosis feature of ARVC2 and CPVT<sup>19,21</sup>, however  
3 this feature was rarely present in our *RYR2*-related ARVC/D cohort (supplementary table 1).  
4 The p.P1583S carriers exhibited a phenotype closer to ARVC2 with effort-induced ventricular  
5 fibrillation and polymorphic VEC associated with significant RV abnormalities and few  
6 baseline ECG abnormalities. All patients displayed right ventricular cardiomyopathy with  
7 either RV dilatation and/or WMA usually encountered in ARVC/D. The endocardial mapping  
8 of the proband carrying the putative p.L4670V mutation showed a zone of scar tissue within  
9 the inferior RV wall. One proband developed a severe biventricular cardiomyopathy leading  
10 to heart transplant. The explanted heart showed typical histological features of ARVC/D with  
11 extensive fibro-fatty replacement of myocytes.

#### 12 ***Role of RYR2 variants in ARVC/D physiopathology***

13 The Ca<sup>2+</sup> release channel *RYR2* plays a central role in cardiac excitation-contraction  
14 coupling<sup>30</sup>. During the systole, *RYR2* massively releases Ca<sup>2+</sup> from the sarcoplasmic reticulum  
15 (SR) towards the cytoplasm leading to the cardiac contraction. Recently, a mutation affecting  
16 the phospholamban (*PLN* gene), another protein playing a central role in calcium regulation,  
17 has been described in an ARVC/D and DCM (dilated cardiomyopathy) population<sup>17</sup>.

18 Even if the PLN phenotype is possibly particular or overlapping, this observation might  
19 suggest a potential link between [Ca<sup>2+</sup>] dysregulation and arrhythmogenic cardiomyopathies.  
20 It could be hypothesised that modifications of intracellular calcium homeostasis induced by  
21 *RYR2* mutations might alter signaling pathways dependent of intracellular Ca<sup>2+</sup> homeostasis,  
22 and participate to the pathogenesis of ARVC/D. However, this hypothesis requires further  
23 investigations.

24

#### 25 ***Limits***

1 A limit of this study is the absence of definitive demonstration for the pathogenicity of the  
2 *RYR2* variants, because of inconclusive segregation analyses and no available functional  
3 studies. However, one of the variants was previously reported to cause a gain of function<sup>27,28</sup>.  
4 Moreover, the small size of families is quite usual in ARVC/D because of reduced penetrance  
5 and therefore few affected relatives in a family. In addition we performed a careful and  
6 conservative interpretation of the variants.

7 Another limit concerns the comparison of the rate of *RYR2* variants in our cohort and in EVS  
8 cohort while two different methods of sequencing were used, which performance may differ  
9 (error rate, coverage). However, their efficiency in term of error rate seems to be similar<sup>31</sup> and  
10 the coverage of the coding sequence of *RYR2* in EVS was excellent (99.9%). We are therefore  
11 confident with the true difference of *RYR2* variants in patients and controls, although the  
12 analysis of a larger cohort of patients with NGS could strengthen our findings.

13 At last, the ARVC/D probands were selected according to the 1994 Task Force Criteria as this  
14 cohort was prospectively recruited before the publication of the revised TFC.

15

## 16 **CONCLUSION**

17 We performed the first systematic screening of the whole *RYR2* gene in a well clinically  
18 characterized ARVC/D cohort, after the exclusion of patients with pathological mutations in  
19 five desmosomal genes, and identified putative *RYR2* mutations in 9% of ARVC/D probands.  
20 Furthermore, we observed that *RYR2* variants were associated with ARVC/D not overlapping  
21 with CPVT phenotype. This observation suggests that *RYR2* variants play a role in the genetic  
22 basis of conventional ARVC/D either as disease-causing mutation, or a modifier gene. This  
23 study also support the notion that in case of a missense variant identified in *RYR2* in ARVC/D  
24 patient, it is necessary to be particularly cautious in the interpretation of the pathogenicity of  
25 the variant. The screening of multiple genes, including *RYR2*, in ARVC/D populations in

1 association with careful phenotype/genotype correlations and functional studies will help to  
2 better understand the complex genetic background of this disease.

3

#### 4 **ACKNOWLEDGMENTS**

5 The study would not have been possible without the invaluable assistance of the patients. This  
6 work was supported by grants from Assistance Publique—Hôpitaux de Paris [PHRC  
7 programme hospitalier de recherche clinique AOM05073]. We thank Dr P. Ray for  
8 proofreading the manuscript and Dr J. Brocard for statistical analyses.

9

10

11

## 1 REFERENCES

- 2 1 Basso C, Corrado D, Marcus FI, Nava A, Thiene G. Arrhythmogenic right ventricular  
3 cardiomyopathy. *Lancet* 2009; 373: 1289-1300.
- 4 2 Marcus FI, McKenna WJ, Sherrill D, et al. Diagnosis of arrhythmogenic right  
5 ventricular cardiomyopathy/dysplasia: proposed modification of the Task Force  
6 Criteria. *Eur Heart J* 2010; 31: 806-814.
- 7 3 Gerull B, Heuser A, Wichter T, et al. Mutations in the desmosomal protein  
8 plakophilin-2 are common in arrhythmogenic right ventricular cardiomyopathy. *Nat*  
9 *Genet* 2004; 36: 1162-1164.
- 10 4 Pilichou K, Nava A, Basso C, et al. Mutations in desmoglein-2 gene are associated  
11 with arrhythmogenic right ventricular cardiomyopathy. *Circulation* 2006; 113: 1171-  
12 1179.
- 13 5 Awad MM, Dalal D, Cho E, et al. DSG2 mutations contribute to arrhythmogenic right  
14 ventricular dysplasia/cardiomyopathy. *Am J Hum Genet* 2006; 79: 136-142.
- 15 6 McKoy G, Protonotarios N, Crosby A, Tastsopoulou A, Anastasakis A, Coonar A,  
16 Norman M, Baboonian C, Jeffery S, McKenna WJ. Identification of a deletion in  
17 plakoglobin in arrhythmogenic right ventricular cardiomyopathy with palmoplantar  
18 keratoderma and woolly hair (Naxos disease). *Lancet* 2000; 355: 2119-2124.
- 19 7 Norgett EE, Hatsell SJ, Carvajal-Huerta L, et al. Recessive mutation in desmoplakin  
20 disrupts desmoplakin-intermediate filament interactions and causes dilated  
21 cardiomyopathy, woolly hair and keratoderma. *Hum Mol Genet* 2000; 9: 2761-2766.
- 22 8 Syrris P, Ward D, Evans A, Asimaki A, Gandjbakhch E, Sen-Chowdhry S, McKenna  
23 WJ. Arrhythmogenic right ventricular dysplasia/cardiomyopathy associated with  
24 mutations in the desmosomal gene desmocollin-2. *Am J Hum Genet* 2006; 79: 978-  
25 984.

- 1 9 Heuser A, Plovie ER, Ellinor PT, et al. Mutant desmocollin-2 causes arrhythmogenic  
2 right ventricular cardiomyopathy. *Am J Hum Genet* 2006; 79: 1081-1088.
- 3 10 Fressart V, Duthoit G, Donal E, et al. Desmosomal gene analysis in arrhythmogenic  
4 right ventricular dysplasia/cardiomyopathy: spectrum of mutations and clinical impact  
5 in practice. *Europace* 2010; 12: 861-868.
- 6 11 Tiso N, Stephan DA, Nava A, et al. Identification of mutations in the cardiac  
7 ryanodine receptor gene in families affected with arrhythmogenic right ventricular  
8 cardiomyopathy type 2 (ARVD2). *Hum Mol Genet* 2001; 10: 189-194.
- 9 12 Beffagna G, Occhi G, Nava A, et al. Regulatory mutations in transforming growth  
10 factor-beta3 gene cause arrhythmogenic right ventricular cardiomyopathy type 1.  
11 *Cardiovasc Res* 2005; 65: 366-373.
- 12 13 Merner ND, Hodgkinson KA, Haywood AF, et al. Arrhythmogenic right ventricular  
13 cardiomyopathy type 5 is a fully penetrant, lethal arrhythmic disorder caused by a  
14 missense mutation in the TMEM43 gene. *Am J Hum Genet* 2008; 82: 809-821.
- 15 14 Quarta G, Syrris P, Ashworth M, Jenkins S, Zuborne Alapi K, Morgan J, Muir A,  
16 Pantazis A, McKenna WJ, Elliott PM. Mutations in the Lamin A/C gene mimic  
17 arrhythmogenic right ventricular cardiomyopathy. *Eur Heart J* 2012; 33: 1128-1136.
- 18 15 Taylor M, Graw S, Sinagra G, et al. Genetic variation in titin in arrhythmogenic right  
19 ventricular cardiomyopathy-overlap syndromes. *Circulation* 2011; 124: 876-885.
- 20 16 Otten E, Asimaki A, Maass A, van Langen I, van der Wal A, de Jonge N, van der Berg  
21 MP, Saffitz JE, Wilde AA, Jongbloed JD, van Tintelen JP. Desmin mutations as a  
22 cause of right ventricular heart failure affect the intercalated disks. *Heart Rhythm*  
23 2010; 7: 1058-1064.
- 24 17 van der Zwaag PA, van Rijsingen IA, Asimaki A, et al. Phospholamban R14del  
25 mutation in patients diagnosed with dilated cardiomyopathy or arrhythmogenic right

1 ventricular cardiomyopathy: evidence supporting the concept of arrhythmogenic  
2 cardiomyopathy. *Eur J Heart Fail* 2012; 14: 1199-1207.

3 18 Laitinen PJ, Brown KM, Piippo K, et al. Mutations of the cardiac ryanodine receptor  
4 (RyR2) gene in familial polymorphic ventricular tachycardia. *Circulation* 2001; 103:  
5 485-490.

6 19 Priori SG, Napolitano C, Tiso N, Memmi M, Vignati G, Bloise R, Sorrentino V,  
7 Danieli GA. Mutations in the cardiac ryanodine receptor gene (hRyR2) underlie  
8 catecholaminergic polymorphic ventricular tachycardia. *Circulation* 2001; 103: 196-  
9 200.

10 20 Nava A, Canciani B, Daliento L, Miraglia G, Buja G, Fasoli G, Martini B,  
11 Scognamiglio R, Thiene G. Juvenile sudden death and effort ventricular tachycardias  
12 in a family with right ventricular cardiomyopathy. *Int J Cardiol* 1988; 21: 111-126.

13 21 Rampazzo A, Nava A, Erne P, Eberhard M, Vian E, Slomp P, Tiso N, Thiene G,  
14 Danieli GA. A new locus for arrhythmogenic right ventricular cardiomyopathy  
15 (ARVD2) maps to chromosome 1q42-q43. *Hum Mol Genet* 1995; 4: 2151-2154.

16 22 Bauce B, Rampazzo A, Basso C, Bagattin A, Daliento L, Tiso N, Turrini P, Thiene G,  
17 Danieli GA, Nava A. Screening for ryanodine receptor type 2 mutations in families  
18 with effort-induced polymorphic ventricular arrhythmias and sudden death: early  
19 diagnosis of asymptomatic carriers. *J Am Coll Cardiol* 2002; 40: 341-349.

20 23 d'Amati G, Bagattin A, Bauce B, et al. Juvenile sudden death in a family with  
21 polymorphic ventricular arrhythmias caused by a novel RyR2 gene mutation: evidence  
22 of specific morphological substrates. *Hum Pathol* 2005; 36: 761-767.

23 24 Milting H, Lukas N, Klauke B, Korfer R, Perrot A, Osterziel KJ, Vogt J, Peter S,  
24 Thieleczek R, Varsanyi M. Composite polymorphisms in the ryanodine receptor 2

1 gene associated with arrhythmogenic right ventricular cardiomyopathy. *Cardiovasc*  
2 *Res* 2006; 71: 496-505.

3 25 McKenna WJ, Thiene G, Nava A, Fontaliran F, Blomstrom-Lundqvist C, Fontaine G,  
4 Camerini F. Diagnosis of arrhythmogenic right ventricular dysplasia/cardiomyopathy.  
5 Task Force of the Working Group Myocardial and Pericardial Disease of the European  
6 Society of Cardiology and of the Scientific Council on Cardiomyopathies of the  
7 International Society and Federation of Cardiology. *Br Heart J* 1994; 71: 215-218.

8 26 Jabbari J, Jabbari R, Nielsen MW, Holst AG, Nielsen JB, Haunso S, Tfelt-Hansen J,  
9 Svendsen JH, Olesen MS. New exome data question the pathogenicity of genetic  
10 variants previously associated with catecholaminergic polymorphic ventricular  
11 tachycardia. *Circ Cardiovasc Genet* 2013; 6: 481-489.

12 27 Larsen MK, Berge KE, Leren TP, Nissen PH, Hansen J, Kristensen IB, Banner J,  
13 Jensen HK. Postmortem genetic testing of the ryanodine receptor 2 (RYR2) gene in a  
14 cohort of sudden unexplained death cases. *Int J Legal Med* 2013; 127: 139-144.

15 28 Thomas NL, George CH, Williams AJ, Lai FA. Ryanodine receptor mutations in  
16 arrhythmias: advances in understanding the mechanisms of channel dysfunction.  
17 *Biochem Soc Trans* 2007; 35: 946-951.

18 29 Priori SG, Chen SR. Inherited dysfunction of sarcoplasmic reticulum Ca<sup>2+</sup> handling  
19 and arrhythmogenesis. *Circ Res* 2011; 108: 871-883.

20 30 Bers DM. Cardiac excitation-contraction coupling. *Nature* 2002; 415: 198-205.

21 31 Glenn TC. Field guide to next-generation DNA sequencers. *Mol Ecol Resour* 2011;  
22 11: 759-769.

23 32 Du GG, Sandhu B, Khanna VK, Guo XH, MacLennan DH. Topology of the Ca<sup>2+</sup>  
24 release channel of skeletal muscle sarcoplasmic reticulum (RyR1). *Proc Natl Acad Sci*  
25 *U S A* 2002; 99: 16725-16730.

- 1 33 Wehrens XH, Marks AR. Altered function and regulation of cardiac ryanodine
- 2 receptors in cardiac disease. *Trends Biochem Sci* 2003; 28: 671-678.
- 3



1 **CLINICAL PERSPECTIVES**

2 To our knowledge, we report here the first systematic screening of the whole *RYR2* gene in a  
3 large ARVC/D cohort without mutation in desmosomal genes. We identified six rare *RYR2*  
4 missense variants predominantly associated with a conventional phenotype of ARVC/D.  
5 Using the data from the Exome Variant Server database, we estimated the prevalence of rare  
6 *RYR2* variants to 4% in the general population, which was significantly lower to the 9%  
7 observed in our cohort (Fisher test,  $p=0.0322$ ). The results support the role of *RYR2* gene in  
8 conventional ARVC/D. This study also highlights the fact that in case of a missense variant  
9 identified in *RYR2* in ARVC/D patient, it is necessary to be particularly cautious in the  
10 interpretation of the pathogenicity of the variant given the prevalence of rare *RYR2* variants in  
11 the general population. The screening of multiple genes, including *RYR2*, in ARVC/D  
12 populations in association with careful phenotype/genotype correlations and functional  
13 studies will help to better understand the complex genetic background of this disease and to  
14 improve the management of ARVC/D patients in the future.

15

16

1 **FIGURE LEGENDS**

2 **Figure 1. Family pedigrees of the patients with a *RYR2* variant.**

3 Square: male, circle: women, white: unaffected individuals after clinical examination or with  
4 no known disease, black: affected, grey: borderline (TFC 2010). +/-: heterozygous  
5 individuals, -/-: individuals negative. NA: genetic status not available. aSCD: aborted sudden  
6 cardiac death

7

8 **Figure 2. Electrocardiographic characteristics of *RYR2* variants carriers**

9 Proband II:1, family A displayed an unusual intraventricular conduction defect in lead V1  
10 (arrow). Proband II:1 and his sister II:2 from family B and probands from family D and E  
11 displayed T-wave inversion in precordial leads V1 to V3. Proband from family F displays an  
12 iRBBB and epsilon wave in V1 (arrow) and multifocal wide Vec with LBBB morphology.

13

14 **Figure 3. Electrophysiological data.**

15 Proband II:1, family B developed spontaneous monomorphic NSVT recorded during the 24-  
16 hours ECG monitoring. The electrophysiological study triggered a SVT with LBBB  
17 morphology and superior axis (left), close to the spontaneous ventricular ectopies morphology  
18 (right). EP study performed on proband II:4, family D triggered NSVT with LBBB  
19 morphology.

20

21 **Figure 4. Histological data.**

22 Histological characterisation of the proband from family F. The figure showed typical  
23 fibrofatty replacement in the right ventricle anterior wall of explanted heart (haematoxylin  
24 and eosin staining, x20 and x100 magnification)

25

1 **Figure 5. Location and conservation of the *RYR2* variants identified.**

2 (A) Location: all missense variants are located within the intra-cytoplasmic part or the  
3 protein, at the exception of the p.L4670V, which is located within the trans-membranous part  
4 of the protein<sup>32,33</sup>. (B) The conservation of the mutated residues 1583 and 4670 indicate that  
5 they are highly conserved across human isoforms and species.

6

7

8

**Table 1. Clinical characteristics of probands *RYR2* mutation carriers.**

Family	Patient	Mutation	Age	Familial status	Origin	Symptoms	Familial history of cardiac ARVC in first degree relative	Ventricular arrhythmias	RV abnormalities	LV abnormalities	ECG	SA ECG	Histology	Treatment	Clinical status according to the 2010 TFDC	
A	II:1	p.P1583S	22	Pb	Europe	Aborted SCD	none	no	Yes*	Dilated RV, apical trabeculations, infero-lateral dyskinesia and akinesia of antero lateral RVOT (echo, MRI, angiography)**	Mild LV dilatation and infero-basal hypokinesia	Intraventricular conduction defect in V1	3/3*	NA	BB, ACEi, ICD	Affected
	II:3	p.P1583S	17	R	Europe	none	Yes	Yes**	none	Mild RV dilatation on echocardiography with lowered RV FAC 27% and dyssynchronous RV contraction with apico-lateral hypokinesia on cardiac-MRI (echo/MRI)	none	Terminal QRS duration > 55ms in V1*	0/3	NA	none	Borderline
	I:1	p.P1583S	60	R	Europe	none	none	Yes**	Yes*	RV apical akinesia associated with RV enlargement (RVOT measured at 34 mm PSAX view) (echo, angiography)*	LVEF = 55%	AF, Terminal QRS duration > 55ms in V1*	0/3	NA	BB	Affected
B	II:1	p.L4670V	43	Pb	Europe	none	none	no	Yes*	Mild RV dilatation (RV end-diastolic volume = 109 ml/m <sup>2</sup> ) and global hypokinesia RV EF 36% (echo,MRI)	none	TWI V1-4**	1/3*	NA	BB	Affected
	II:2	p.L4670V	41	R	Europe	none	Yes	Yes**	none	None (echo,MRI, scintigraphy)	none	TWI V1-3**	0/3	NA	none	Affected
	I:2	p.L4670V	70	R	Europe	none	Yes	Yes**	none	None (echo, MRI, scintigraphy)	none	Normal	2/3*	NA	none	borderline
C	II:3	p.G2367R	59	Pb	North africa	Presyncope	none	no	Yes*	WMA with apical and RVOT akinesia, RV LGE* (echo, MRI, scintigraphy)	none	RBBB; QRS V1/6>25ms	3/3 QRS>110ms	NA	BB, amiodarone, ACEi, ICD	Borderline
D	II:4	p.A2213S	35	Pb	Europe	Palpitations syncope	none	no	Yes*	RV dilatation (RVOT at 50 mm in PSAX view) RV dysfunction (RV FAC : 26 %), apical akinesia and infero-basal hypokinesia, RV LGE** (echo, MRI)	LVEF = 55%	TWI V1-3**	1/3*	NA	BB, ICD	Affected
	III:1	p.A2213S	12	R	Europe	none	Yes	Yes**	none	None (echo)	none	NI	0/3	NA	none	Unaffected
E	II:2	p.V3219M	41	Pb	Europe	Presyncope	none	no	Yes*	WMA with dyskinesia and RV aneurysm (echo, MRI)	none	TWI V1-3**	0/3	NA	BB	borderline
F	II:4	p.Y2932H	39	Pb	Europe	Palpitations dyspnea	none	no	Yes*	Major RV dilatation, antero akinesia, anterior akinesia and infero-apical severe hypokinesia, trabeculations (echo, angiography)**	LVEF = 45% Mild LV dilatation	Epsilon wave, incomplete RBBB, AF**	0/3	†**	Amiodarone, BB, ACEi, ICD, Heart Tx	Affected
	II:3	p.Y2932H	41	R	Europe	none	Yes	Yes**	none	None (echo)	none	NI	0/3	NA	none	Unaffected
	II:2	p.Y2932H	42	R	Europe	none	Yes	Yes**	none	None (echo)	none	NI	0/3	NA	none	Unaffected

ACEi: angiotensin conversion enzyme inhibitor; AF: atrial fibrillation; BB: beta-blockers; Echo: echocardiography; EF: ejection fraction; FAC: fractional area change; Heart Tx: heart transplantation; ICD: implantable cardiac defibrillator; LGE: presence of late-gadolinium enhancement; LV: left ventricle; NA: non-available data; Pb: proband (all fulfilled 1994 diagnostic criteria available at enrolment); PSAX: para-sternal short axis; R: relative; RV: right ventricle; RBBB: right bundle branch block; SCD: sudden cardiac death; SAECG: signal average ECG; RVOT: right ventricle outflow tract; TWI: T-wave inversion; WMA: wall motion abnormalities; \*: min or criteria according to the 2010 Task Force Diagnosis Criteria (TFDC); \*\*: major criteria; †: fibrofatty replacement.

**Table 2: Predicted alterations of nonsynonymous changes observed.**

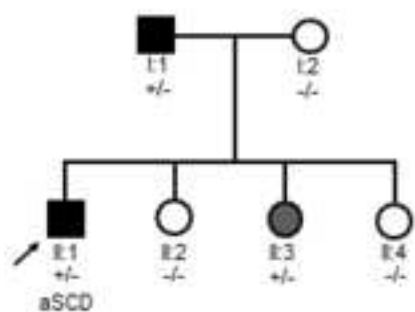
Exon	Mutation	Location	Conservation	Prediction from bioinformatic tools			Frequency in variant database*
				SIFT	Polyphen2	SNPsandGO	
36	c.4747C>T p.P1583S	Cytoplasmic	yes	Intolerant	Probably damaging	Disease	Not reported in EVS & 1000 genomes (but reported in NCBI (frequency 1/24 000))
43	c.6637G>T p.A2213S	Cytoplasmic	no	Intolerant	Possibly damaging	Disease	Not reported
46	c.7099G>A p.G2367R	Cytoplasmic	no	Tolerant	Possibly damaging	Neutral	0.008%
60	c.8794T>C p.Y2932H	Cytoplasmic	no	Tolerant	Probably damaging	Neutral	Not reported
68	c.9655G>A p.V3219M	Cytoplasmic	no	Tolerant	Possibly damaging	Disease	0.008%
97	c.14008C>G p.L4670V	Transmembrane domain	yes	Intolerant	Probably damaging	Disease	Not reported

\*Including NCBI, EVS (exome variant server) and 1000 genomes databases

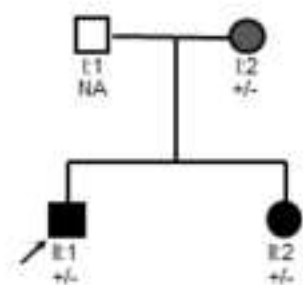
Figure

[Click here to download high resolution image](#)

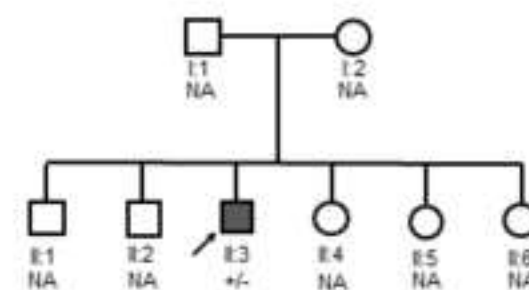
Family A. c.4747C>T; p.P1583S



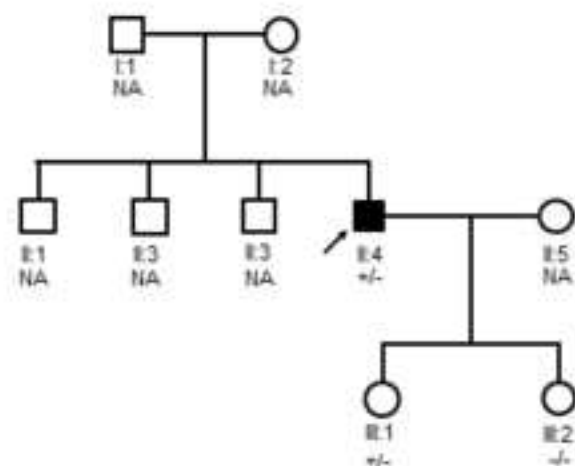
Family B. c.14008G>A; p.L4670V



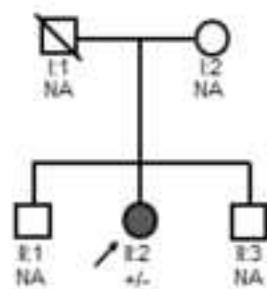
Family C. c.7099G>A; p.G2367R



Family D. c.6637G>T; p.A2213S



Family E. c.8794T>C; p.V3219M



Family F. c.8794T>C; p.Y2932H

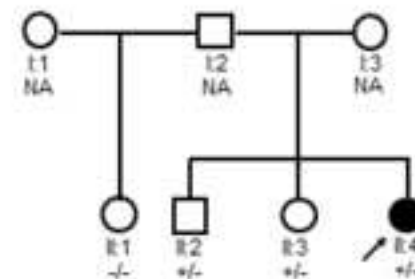


Figure 2

[Click here to download high resolution image](#)

Electrocardiographic recording

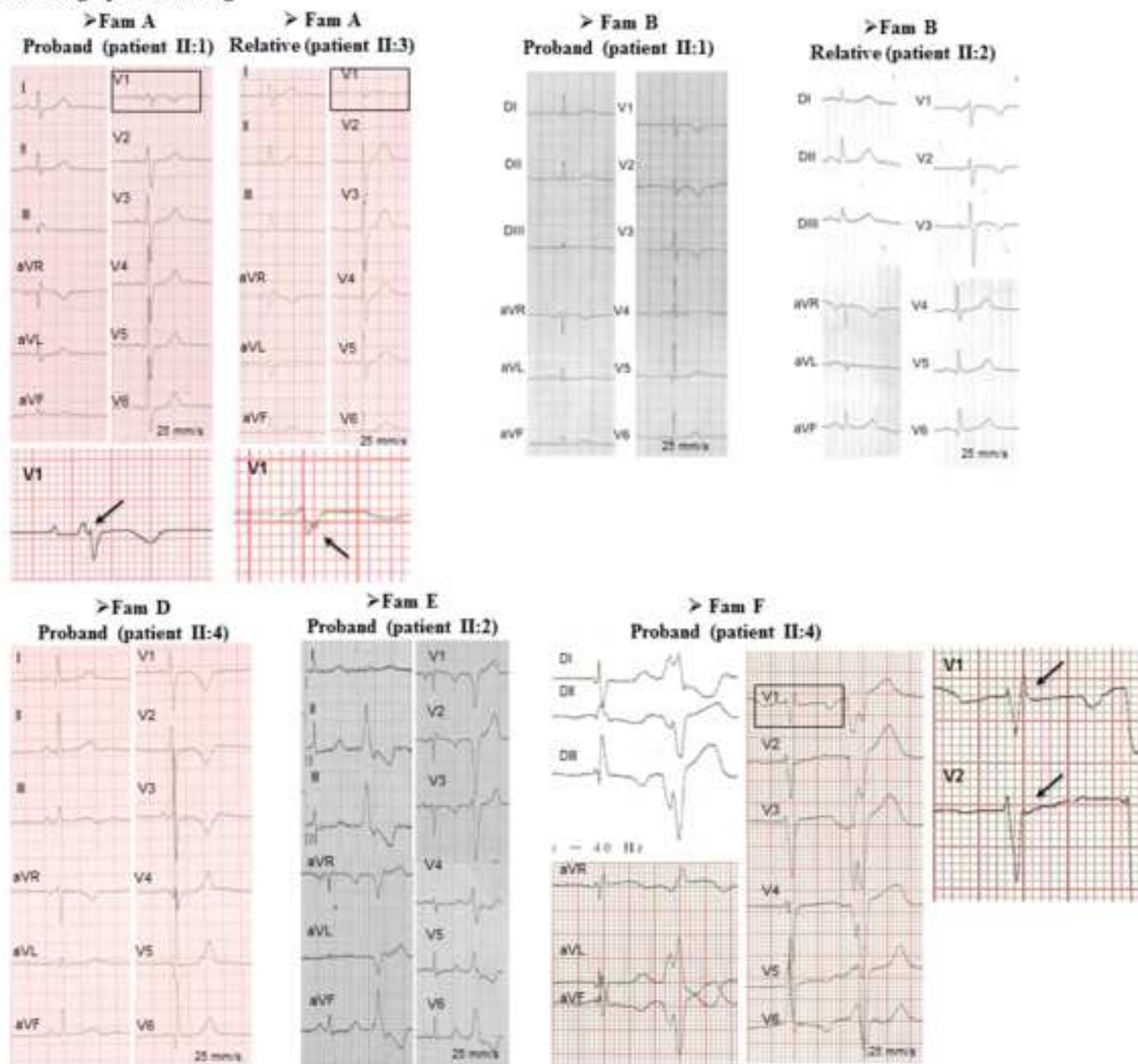
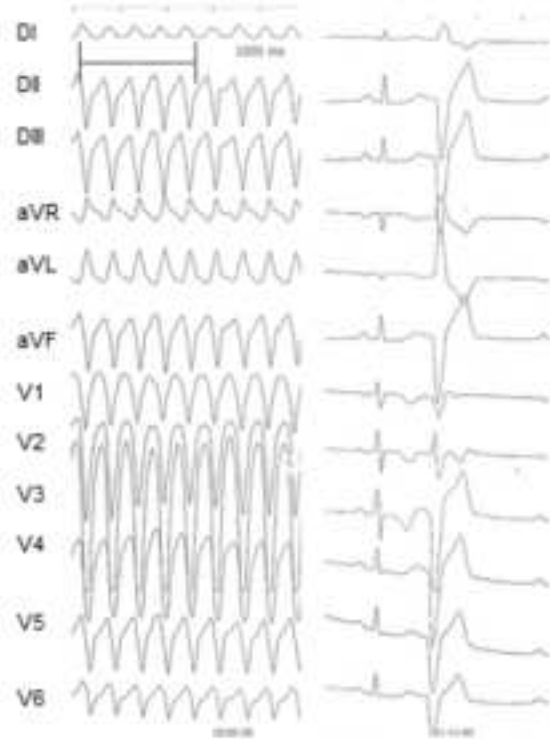


Figure 3

[Click here to download high resolution image](#)

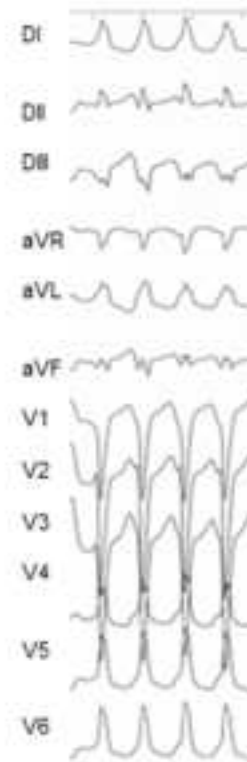
➤ **Proband (patient II:1), family B**

*Electrophysiological study*



➤ **Proband (patient II:4), family D**

*Electrophysiological study*



*24-hours ECG monitoring*

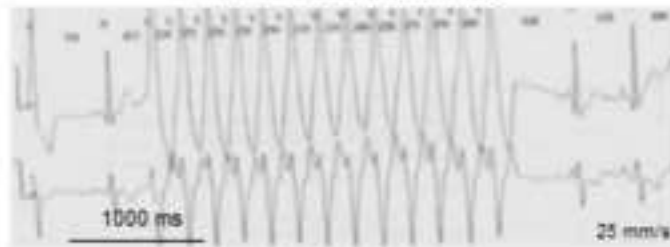




Figure4

[Click here to download high resolution image](#)

**Histological characterisation of the proband (patient II:4), fam F.**

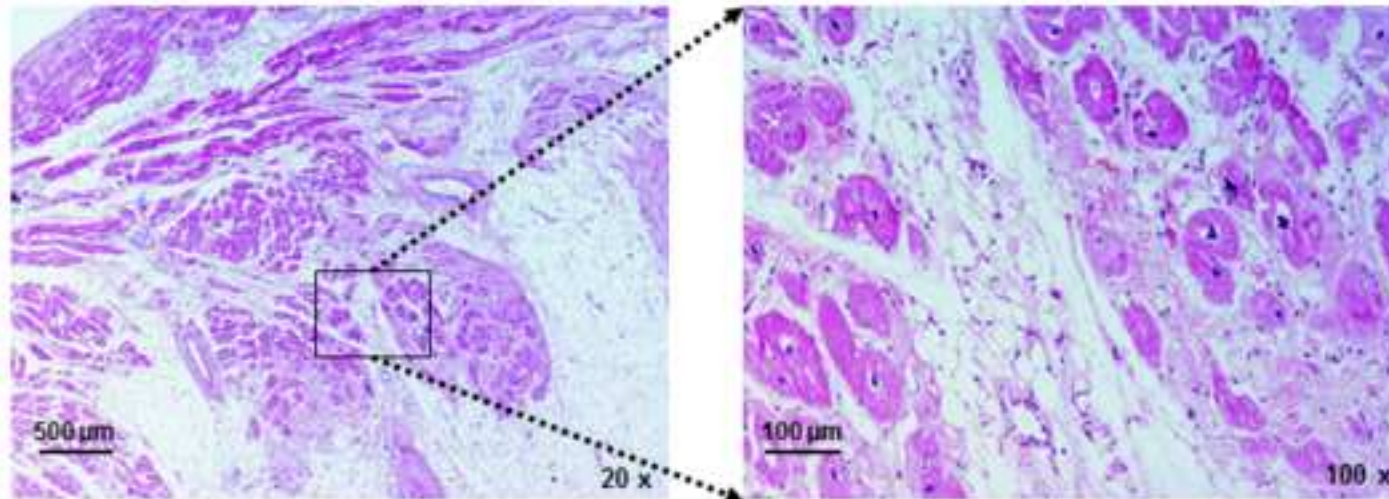
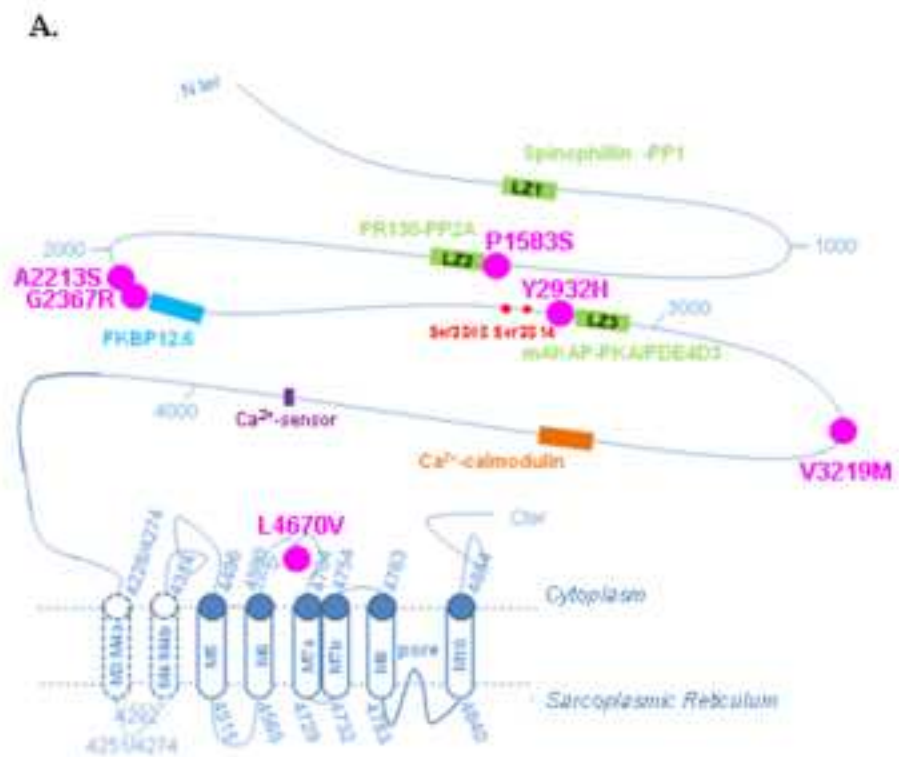


Figure 5

[Click here to download high resolution image](#)



**B.**

	1583		4670
RyR2 Human	EHKNPVPQCP	PRLHVQ	----- ISELGMDKAA
RyR1 Human	ERFNPAPOCP	PRLEMQ	----- IAELGMDLAT
RyR3 Human	EEKNPVPQCP	PRLDVQ	----- IAELGLDKNA
RyR2 Rabbit	EHKNPVPQCP	PRLHVQ	----- ISELGMDKAA
RyR1 Pig	ERFNPAPOCP	PRLEMQ	----- IAELGMDLAT
RyR3 Chicken	EERNPVPQCP	PRLDVQ	----- IAELGLDKNA
RyR Drosophila	SDKHINPQSP	PRLKVQ	----- ISNLGMEKST
RyR1 C.elegans	CEKSLVPPCP	PRLTVE	----- LTSILGEEKMS

**Supplementary Material**

[Click here to download Supplementary Material: supplementary\\_table1.doc](#)

**Supplementary Material2**

[Click here to download Supplementary Material: supplementary\\_table2.doc](#)