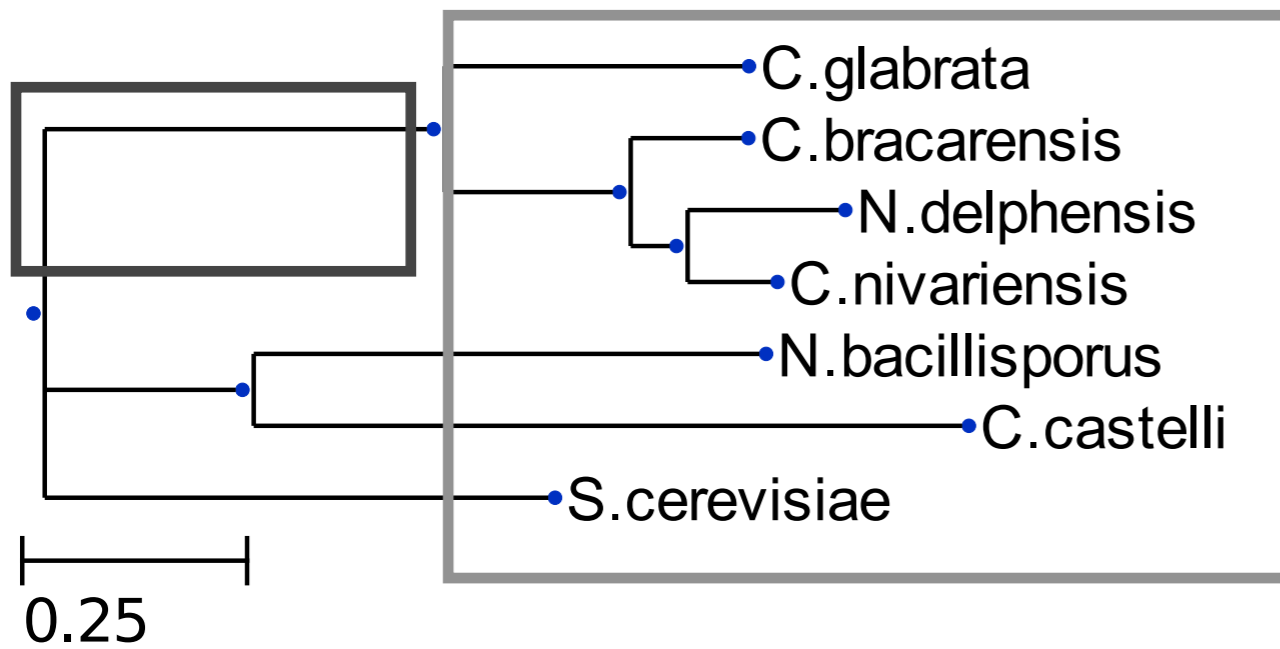


LRT A

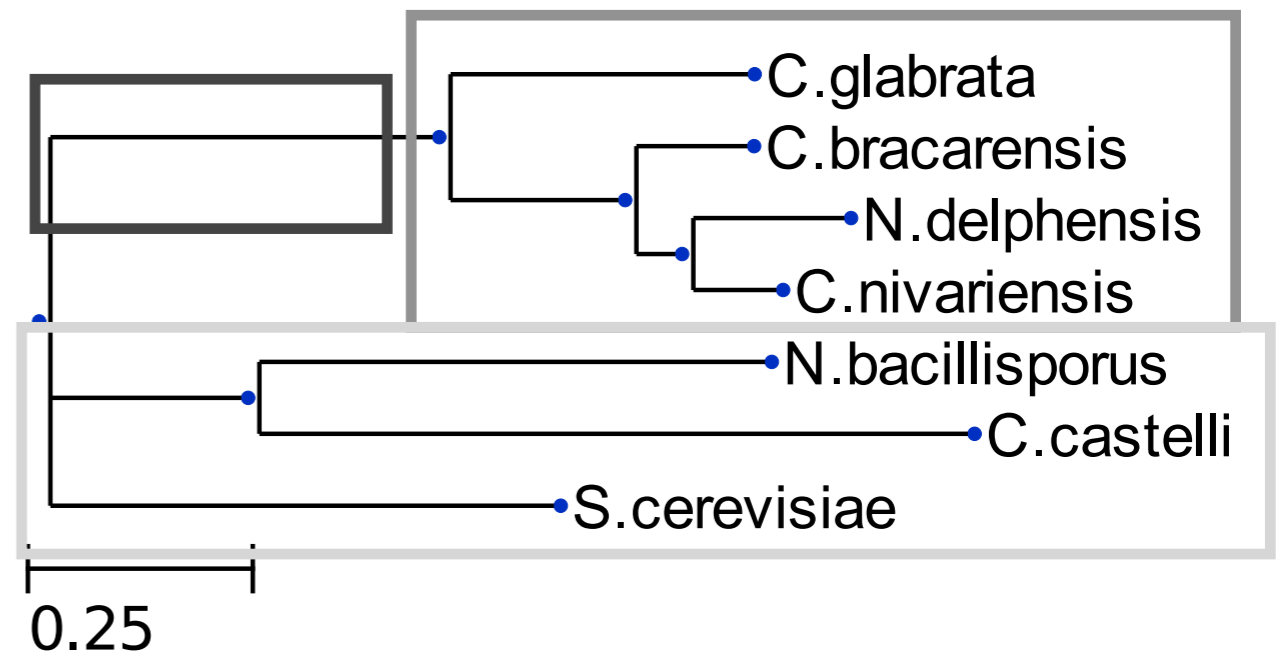
7 taxa

Null model



2-rates

Alternative model

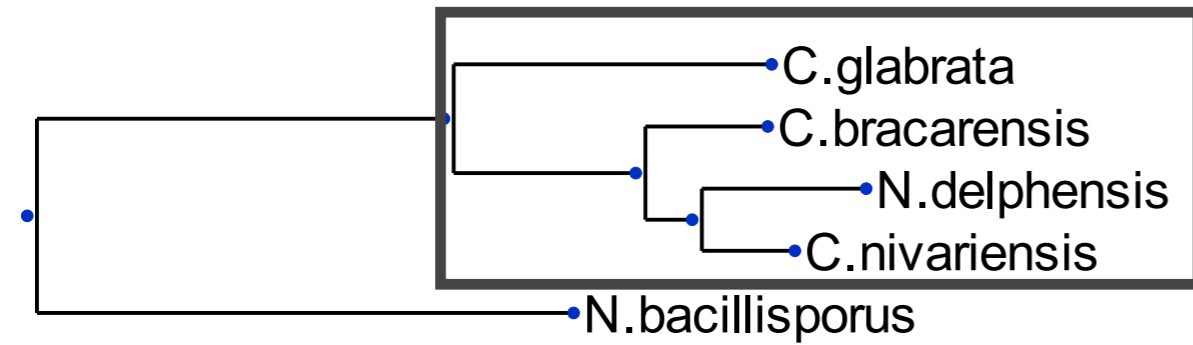


3-rates

LRT B

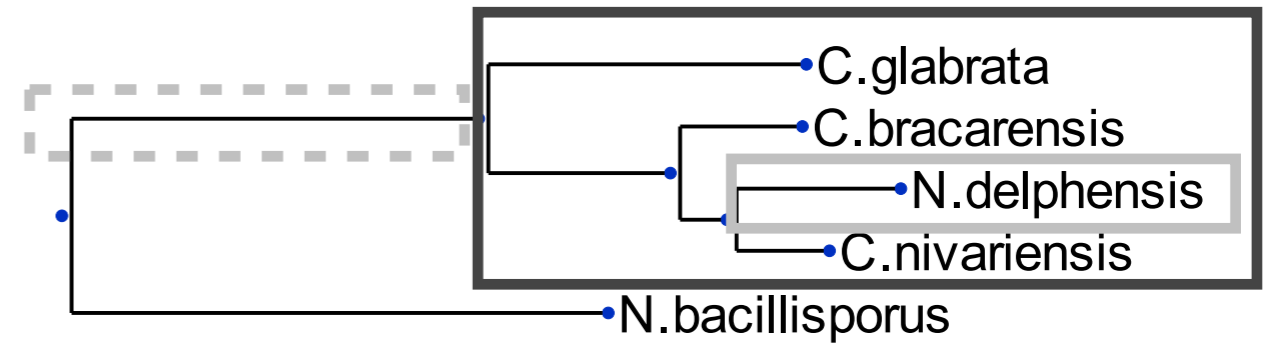
5 taxa

Null model



2-rates

Alternative model

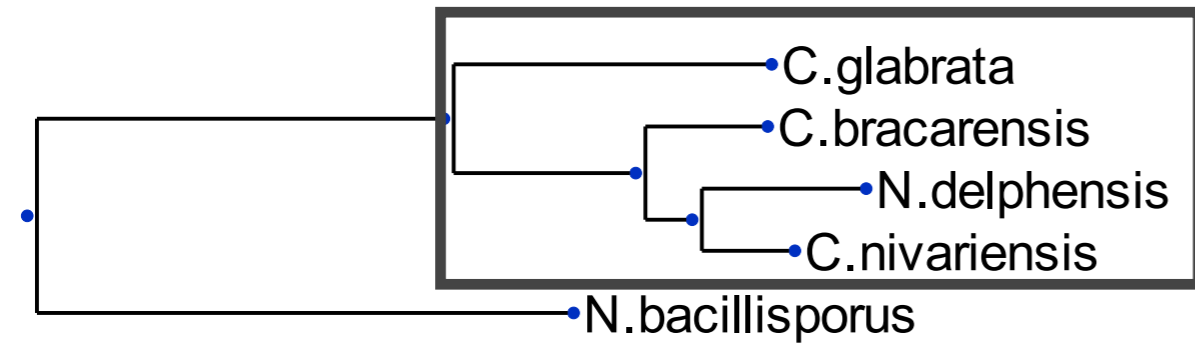


4-rates

LRT C

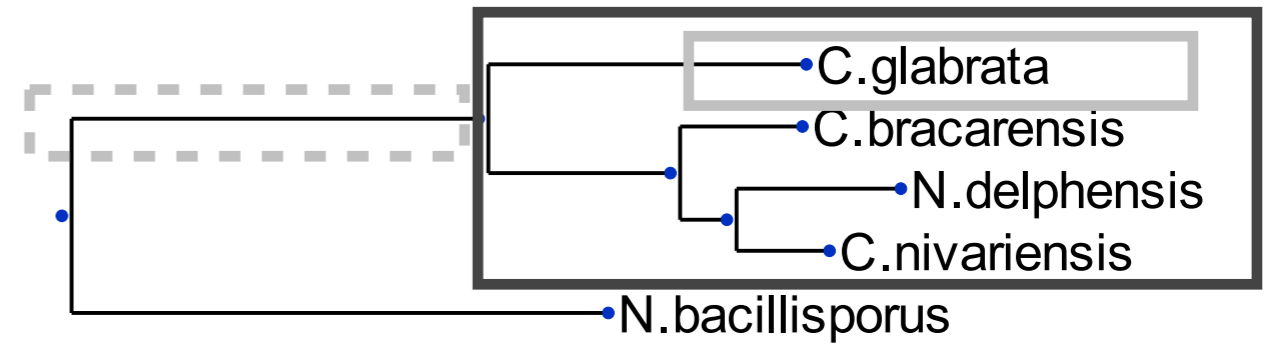
5 taxa

Null model



2-rates

Alternative model



4-rates