



HAL
open science

Hereditary spastic paraplegia with mental impairment and thin corpus callosum in Tunisia: SPG11, SPG15, and further genetic heterogeneity.

Amir Boukhris, Giovanni Stevanin, Imed Feki, Elodie Denis, Nizar Elleuch, Mohamed Imed Miladi, Jérémy Truchetto, Paola Denora, Samir Belal, Chokri Mhiri, et al.

► To cite this version:

Amir Boukhris, Giovanni Stevanin, Imed Feki, Elodie Denis, Nizar Elleuch, et al.. Hereditary spastic paraplegia with mental impairment and thin corpus callosum in Tunisia: SPG11, SPG15, and further genetic heterogeneity.. Archives of Neurology -Chigago-, 2008, 65 (3), pp.393-402. 10.1001/archneur.65.3.393 . inserm-00277198

HAL Id: inserm-00277198

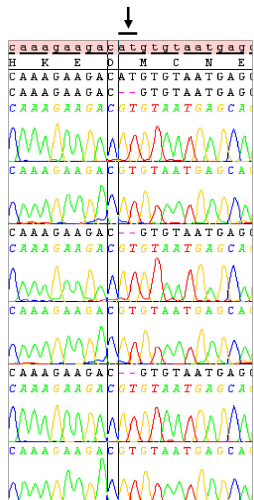
<https://inserm.hal.science/inserm-00277198v1>

Submitted on 9 Mar 2009

HAL is a multi-disciplinary open access archive for the deposit and dissemination of scientific research documents, whether they are published or not. The documents may come from teaching and research institutions in France or abroad, or from public or private research centers.

L'archive ouverte pluridisciplinaire **HAL**, est destinée au dépôt et à la diffusion de documents scientifiques de niveau recherche, publiés ou non, émanant des établissements d'enseignement et de recherche français ou étrangers, des laboratoires publics ou privés.

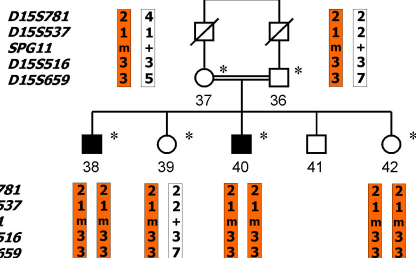
A Exon 4: c.733_734delAT, p.M245VfsX



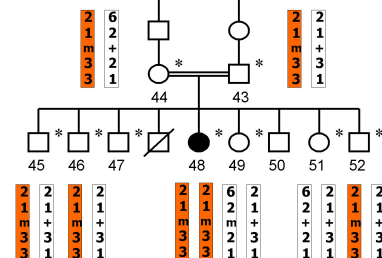
Sizes in base pairs

<i>D15S781</i>	<i>D15S537</i>	<i>D15S516</i>	<i>D15S659</i>
185=1	180=1	191=1	179=1
187=2	184=2	193=2	181=2
181=3	188=3	195=3	195=3
183=4	174=4	187=4	199=4
191=5	172=5	197=5	191=5
189=6			189=6
			183=7
			175=8

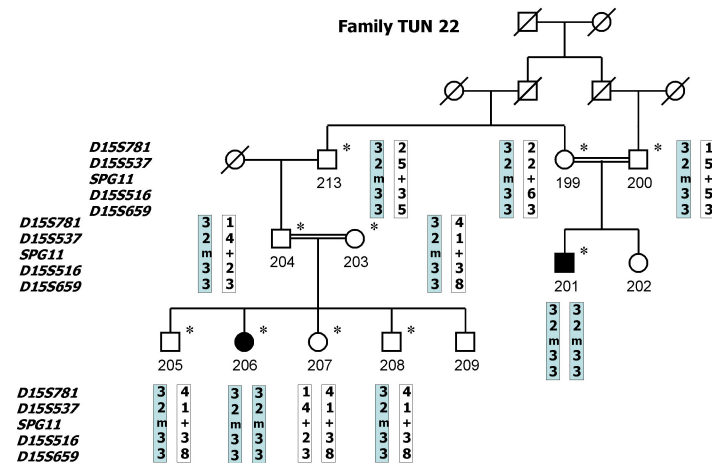
Family TUN 3



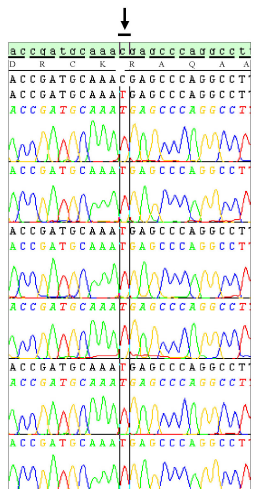
Family TUN 4



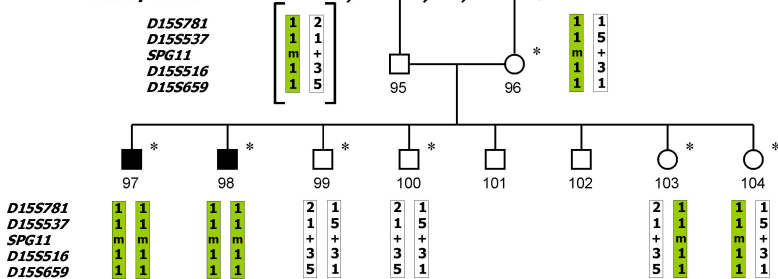
Family TUN 22



B Exon 32: c.6100C>T, p.R2034X



Family TUN 9



Family TUN 12

